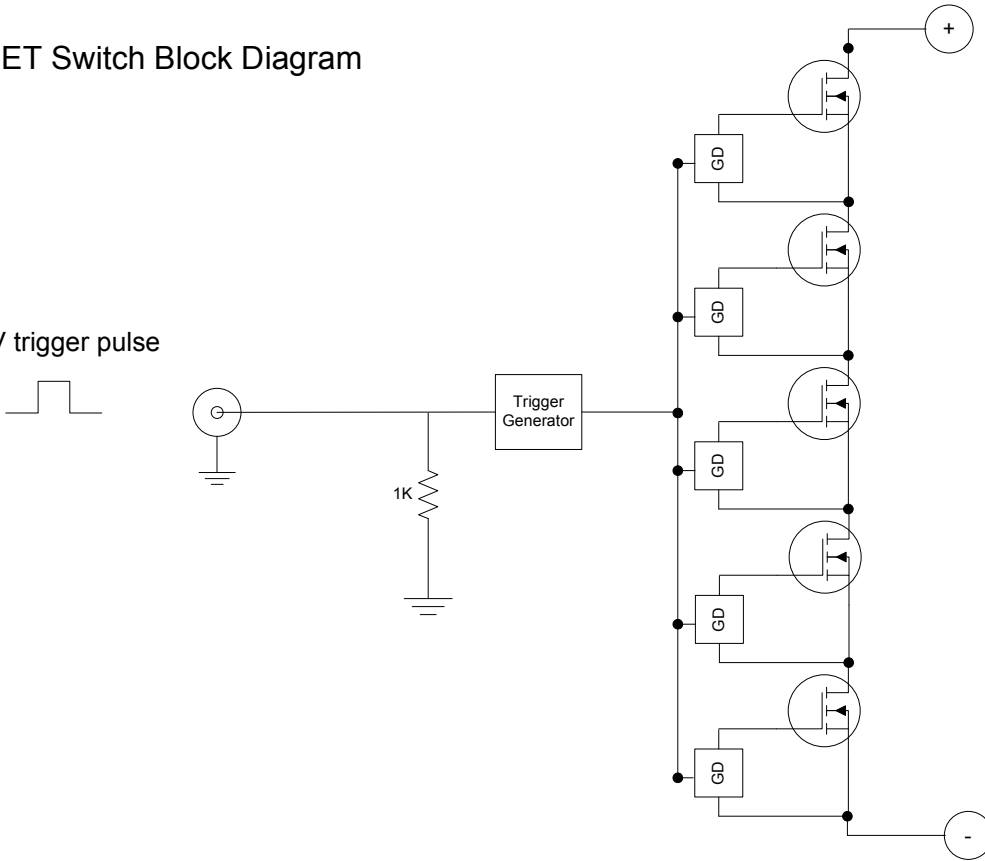


MOSFET Switch Block Diagram

3-18 V trigger pulse



Gate Drivers are Insulated to 12kV