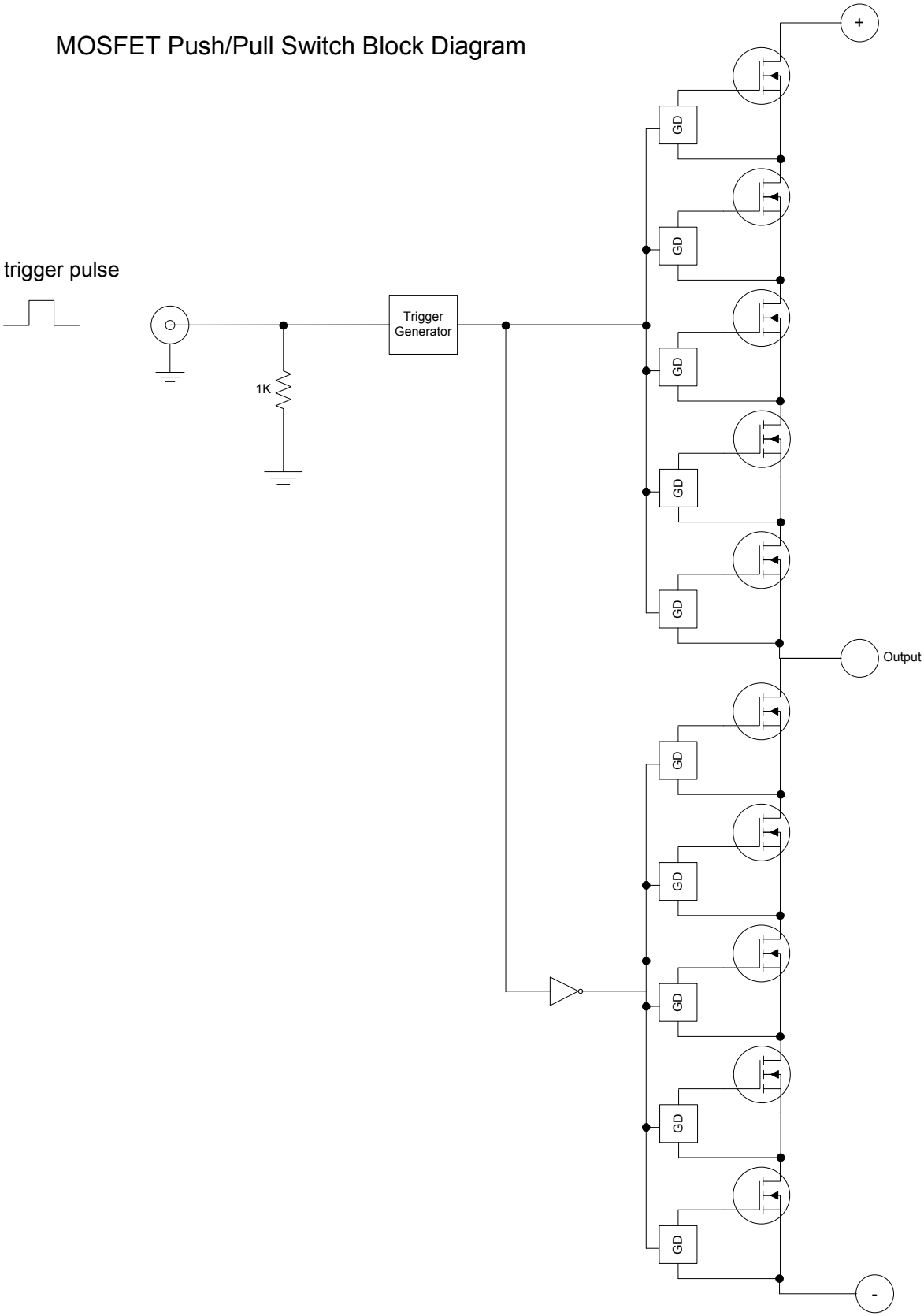


MOSFET Push/Pull Switch Block Diagram

3-6 V trigger pulse



Gate Drivers are Insulated to 15kV